



• E250 PL • E450 PL

250°C to 1900°C

Features

- Wide temperature ranges from 250°C to 1900°C.
- Spectral range from 1.0 μm...1.6 μm
- Inbuilt LCD Display and Keypad for parameterisation
- Fast response time within milliseconds
- Laser Targeting light for precision targeting
- Analog output options available like 0...20mA, 4...20mA and 0...10V
- USB2.0 Digital output and RS-232/RS-485 Serial interface
- Relay output
- User friendly PC software for communication

Standard Scope of Supply

- Pyrometer with LCD Display
- Keypad for parameterizing
- Extended Sensor head with 3 mtr cable
- Laser Targeting Light
- Analog output 4...20mA, 0...20mA, 0... 10V
- USB 2.0 Digital output, USB cable
- Relay Output
- Calibration certificate, Software & Operation manual

Optional

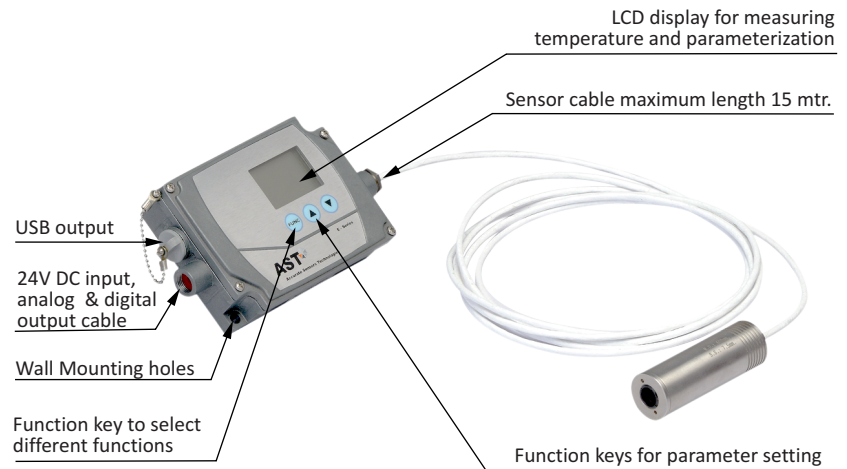
- Mechanical & Electrical Accessories
- RS-232 / RS-485 Interface card
- Extra Sensor Head Extension Cable Lengths

Applications

- Induction heating
- Casting
- Annealing
- Welding
- Forging
- Sintering
- Melting
- Rolling

• E250 PL • E450 PL

Highly Accurate Digital Pyrometer with Extended Sensor Head, Laser light, Inbuilt LCD & Keypad for Parameterization

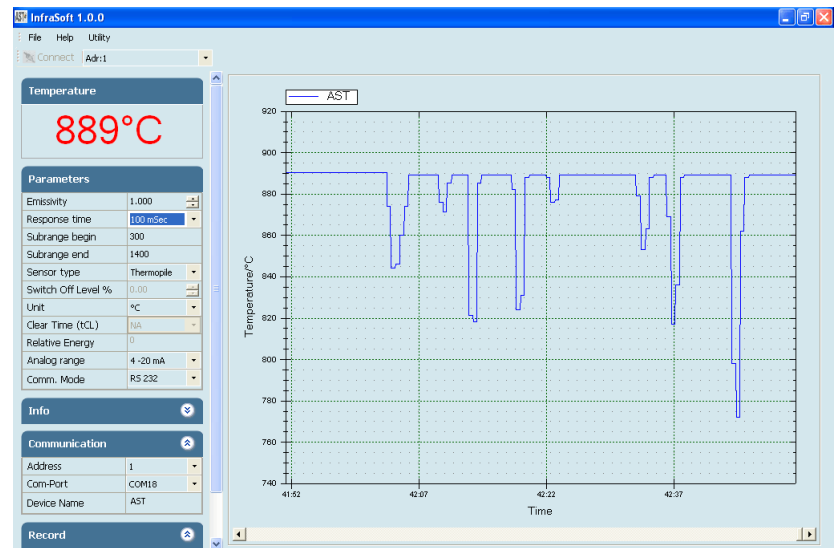


E250 PL and E450 PL are highly economic digital IR pyrometers with extended sensor head and separate electronic box for non-contact temperature measurement of metals, ceramics and graphite etc in temperature ranges between 250°C and 1900°C

E250 PL and E450 PL IR Pyrometers are two piece measurement systems containing one extended sensor head and one electronic box. The electronic box comes with Inbuilt 4 digit LCD display which offers many signal processing features. The Keypad on the electronic box helps in setting parameters like Emissivity, Analog Sub range, Relay, Set point, Hysteresis (Hyst), Analog Output, Unit of temp(°C or F), Response Time, Peak Picker and Sensor address etc. The sensor head is un-effected by electromagnetic interferences.

E250 PL and E450 PL Infrared Pyrometers are provided with USB 2.0 output & PC Software for communication. The pyrometer can be powered through USB port, in this case no external power supply is required. 24V DC is required for operation of Analog output 4...20mA, 0...20mA, 0... 10V, Laser, RS-232/RS-485 and Relay output.

Software "Infrasoft"



Spot Sizes

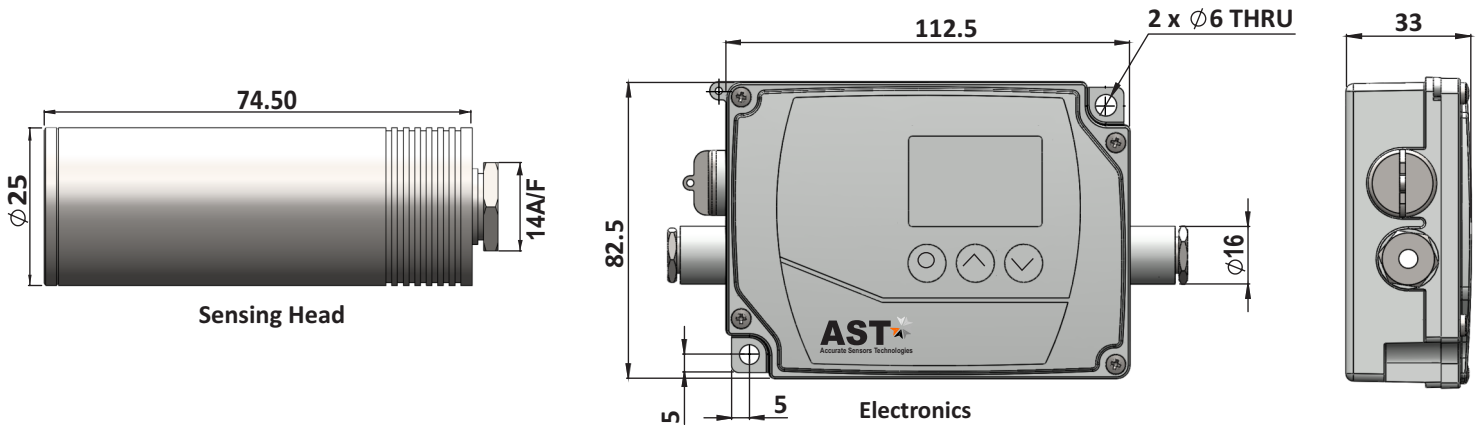
Manufactured Working Distances WD (mm)	Spot Sizes (mm)			
	E250 250°C-1000°C (20:1)	E250 300°C-1300°C (40:1)	E250 350°C-1800°C (80:1)	E450 600°C-1900°C (80:1)
90	4.5	2.25	1.2	1.2
300	15	7.5	3.8	3.8
600	30	15	7.5	7.5
Aperture(A)	5	5	5	5

Technical Specifications

Model	E250 PL	E450 PL
Temperature Range (Analog sub-range adjustable)	250°C....1000°C 300°C....1300°C 350°C....1800°C	600°C...1900°C
Spectral Range	1.6 μm	1.0 μm
Photodetector Type	InGaAs	Si
Distance to Spot Size Ratio	20 : 1 40 : 1 80 : 1	80 : 1
Emissivity (ε)	0.1....1.0 adjustable	
Response Time	2 msec adjustable upto 10 sec	
Accuracy	±0.3% of the measured value +1° C	
Repeatability	0.1% of reading in °C +1°C	
Sighting Option	Laser Pilot Light(PL)	
Analog Output	0-20mA, 4-20mA, 0-10V(User Selectable)	
Digital Output	USB 2.0 output RS - 232 / RS - 485 interface card (Optional) *at a time only one digital output possible	
Operating Temp. Range	Electronic Box and Sensor Head upto 70°C	
Storage Temp. Range	-20°C....70°C	
Relay Output	Relay o/p with hysteresis 60VDC/42V AC RMS, 0.4A	
Adjustable Parameters and Features via Software	Emissivity, Response Time, Clear Time(Peak Picker), Analog Output, Analog Scale(sub range), Unit of Temperature(°C/°F), Communication mode(Comm. mode), Record Feature etc.	
Adjustable Parameters and Features via Keypad	Emissivity, Relay, Set Point, Hysteresis (Hyst), Analog Sub Range, Analog Output, Unit of temperature, Sensor address, Response Time, Clear Time (Peak Picker) etc.	
Power Supply	12 to 28V DC with reverse polarity protection	
Power Consumption	Max 2.5 watt	
Laser Power	<1 m watt	
Protection Class	IP65	
Housing	Sensor Head : Stainless Steel Electronic Box : Zinc	
Isolation	Power supply, * Digital output and Analog output are galvanically isolated against each other *Not applicable for USB 2.0 digital output	
Operating Humidity	10-95%, Non-Condensing Conditions	
Weight & Dimensions	600g, 112.5mmx82.5mmx33mm (L x W x H)	

We measure accurate temperature in extreme conditions

Pyrometer Drawing



*all dimensions in mm

Accessories

Water Cooling Jacket Incl.
Air Purge Unit-Sensor Head
(Reference No: 8000-01)



Air Purge Unit-Sensor Head
(Reference No: 8200-01)



Adjustable Mounting for Sensor Head
(Reference no: 8200-03)



Converter RS-232 \leftrightarrow RS-485
(Reference no: 9000-03)



Power supply Input 110/230V AC Output 24 V DC, 0.7Amp.
(Reference No. 9000 - 02)



Accurate Sensors Technologies Pvt. Ltd.
Misgav Industrial Park, Misgav 20174 Israel
Phone :+972-4-9990025, Fax : +972-4-9990031
E-mail : info@accuratesensors.com

Accurate Sensing Technologies Pvt. Ltd.
188A, B-169 (Part), B-188 (A), Road No. - 5, M. I. A.,
Madri, Udaipur (Rajasthan) - 313003
Phone : +91-9352506032
Email : sales@astinfared.com

AST
Accurate Sensors Technologies