



• A250C FO-PL

350°C to 1350°C

Features

- Pyrometer with Rugged mono fiber optics withstands ambient up to 250°C
- Two Color model
- Spectral range 1.5 μm/1.6 μm
- Wide temperature range from 350°C....1350°C
- Useful In applications involving electromagnetic fields.
- Analog output options 0...20mA or 4...20mA or 0-10 V
- High Optical Resolution
- Laser targeting light for high precision targeting
- Bluetooth V2.0
- RS-232/RS-485 serial interface
- Fixed and variable optics available

Standard Scope of Supply

- Pyrometer with Laser Pilot Light(PL) for targeting purpose
- 2.5 mtr Mono Fibre optic cable
- Optical head OH(I), OH(II) or OH(II) - V(variable)
- Analog Output 4...20mA, 0 - 20mA, 0-10V
- Bluetooth V2.0
- RS-232/RS-485 serial interface
- 5 mtr long connection cable with connector
- Calibration Certificate, PC Software & Operation manual

Optional

- Mechanical and Electrical Accessories
- Extra Lengths of Fiber Cable and Connection cable

Applications

- Induction heating
- Sintering
- Welding
- Rolling mill
- Casting
- Rotary kilns
- Forging
- Pouring stream
- Annealing

• A250C FO-PL

Digital Fibre Optic IR Pyrometer in two color with mono fiber optic cable with Bluetooth V2.0



A250C FO-PL is a highly accurate digital two colour radiation Fibre Optic IR Pyrometer from FO-PL series. This device measures the temperature of an object by calculating the ratio of the energies at two different wavelength bands. The ratio technique eliminates and reduces errors in temperature measurement caused by changes in Emissivity, Surface finish and energy absorbing materials such as water vapour etc.

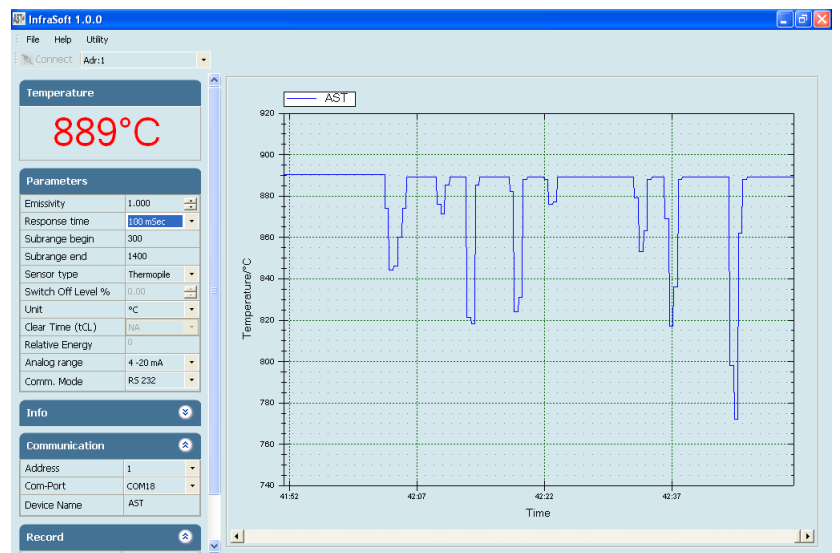
The Fibre Optic Pyrometers are widely used in high ambient temperature applications without cooling upto 250°C and also in processes involving electromagnetic interferences.

Software “Infrasoft”

AST “Infrasoft” software is under standard scope of supply. It offers possibilities of connecting three pyrometers simultaneously for parameter setting, view real time graph, offline graph and to evaluate measuring data. Communication between the pyrometer and the software is implemented via a cable connected between the pyrometer and the PC serial port. It comes with record feature, spot size calculator and parameter settings features.

Some of the parameters adjustable via software are

- Emissivity, Response Time
- Sub Range
- Clear Time(Peak Picker)
- Unit Of Temperature(°C/°F)
- Analog Output
- Communication mode



AST Infrasoft

AST Infrasmart is an android application used to communicate a pyrometer with mobile devices. This application works via bluetooth after pairing with mobile. APK file for this android application will be provided with device.

Number of parameters set through the application are :

- Emmissivity
- Response time
- Clear Time
- Unit of Temperature
- Analog Output
- Communication Mode
- Sensor Type
- Sub Range
- Data Logging





Technical Specifications

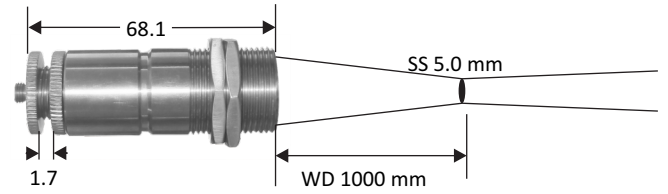
Model	A250C FO PL
Temperature Range (Analog sub-range adjustable)	350°C....1000°C 450°C....1350°C
Spectral Range	1.5 μm/1.6 μm
Photodetector Type	InGaAs/InGaAs
Distance to Spot Size Ratio	100:1 OH(I) 350°C....1000°C 200:1 OH(II) 350°C....1000°C 200:1 OH(II) - Variable 350°C....1000°C 100:1 OH(I) 450°C....1350°C 200:1 OH(II) 450°C....1350°C 200:1 OH(II) - Variable 450°C....1350°C
Emissivity (ε)	0.1....1.0 adjustable(Single Color mode)
Emissivity Slope (ε1 / ε2)	0.75...1.25 slope adjustable (Two color mode)
Response Time	100 msec adjustable upto 20 msec
Accuracy	± 0.5% of the measured value + 1°C
Repeatability	0.1% of reading in °C +1°C
Sighting Options	Laser Pilot Light (PL)
Analog Output	0-20mA, 4-20mA, 0-10V (User selectable)
Digital Output	Bluetooth V2.0 RS-232/RS-485 (User selectable) *At a time only one digital output possible
Operating Temp. Range	Pyrometer 0°C.....70°C Optical head and Fibre Optic Cable upto 250°C
Storage Temp. Range	-20°C...70°C
Adjustable Parameters and Features via Software	Emissivity, Emissivity Slope, Response Time, Clear Time(Peak Picker), Analog Output, Analog Scale(Sub range),Sensor type (Switches b\w 2-color or single color), Switch off level, Unit Of Temperature(°C/°F), Communication mode(Comm.mode), Record feature etc
Power Supply	12V to 28V DC with reverse voltage protection
Power Consumption	Max 2.5 watt
Laser Power	<1 m watt
Protection Class	IP65
Housing	Stainless Steel
Isolation	Power supply, *Digital output and Analog output are galvanically isolated against each other
Operating Humidity	10-95%, Non-Condensing Conditions
Weight & Dimensions	600g Dia= Ø 49.5 mm; Length=118mm

We measure accurate temperature in extreme conditions

Spot Sizes

Fixed Optics		A250C FO PL	
Optical Head	Working Distances (mm)	Spot Sizes(mm) 350°C - 1000°C	Spot Sizes(mm) 450°C - 1350°C
	120	1.2	1.2
	260	2.6	2.6
	700	7.0	7.0
Optical Head - I	Aperture (mm)	10.0	10.0
	90	0.5	0.5
	200	1.0	1.0
	600	3.0	3.0
	4500	23	23
Optical Head - II	Aperture (mm)	18.0	18.0

Example of OH(II) - Variable



Pull Out (P) = 1.7 mm
Optical Head Length (L) = 68.1 mm

Variable Optics		Optical Head - II - V (Variable)									
Working Distance (mm)		0	250	300	400	600	800	1000	1500	2000	2500
Optical Head Length L (mm)		66.4	78.9	75.75	72.8	70.1	68.8	67.1	67.15	66.7	66.4
Optical Pullout P(mm)		0	12.5	9.35	6.4	3.7	2.4	1.7	0.75	0.3	0
Spot Size (mm) AST A250C FO PL	350 - 1000°C	18	1.3	1.5	2.0	3.0	4.0	5.0	7.5	10.0	13.0
	450 - 1350°C	11	1.3	1.5	2.0	3.0	4.0	5.0	7.5	10.0	13.0

Accessories

**Air Purge Unit
for Optical Head II & II Variable**
Reference No. 8200 - 01



**Air Purge Unit
for Optical Head-I**
Reference No. 8200 - 02



**Adjustable Mounting
for Optical Head II**
Reference No. 8200 - 03



**Adjustable Mounting
for Optical Head-I**
Reference No. 8200 - 04



Display with Parameterizer (P-120)
Reference No. 9001 - 01



Power supply Input 110/230V AC
Reference No. 9000 - 02
Output 24 V DC, 0.7Amp



**Temperature Indicator with
retransmission output 4..20mA**
Reference No. 9000 - 01



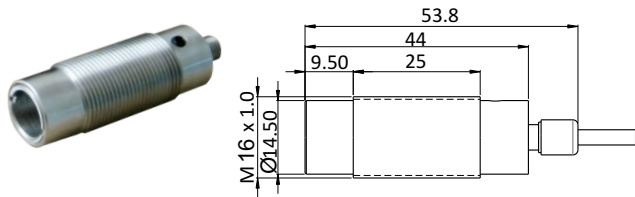
Converter RS-485/ RS-232
Reference No. 9000-03



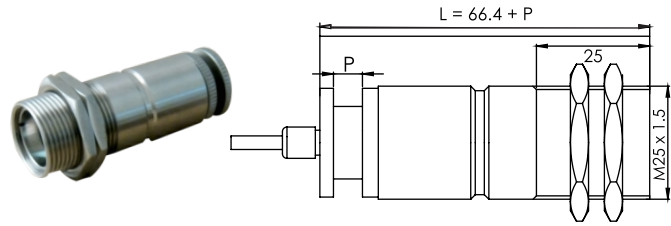
We measure accurate temperature in extreme conditions

Pyrometer Drawing

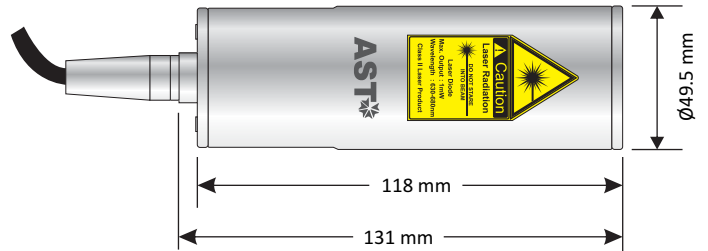
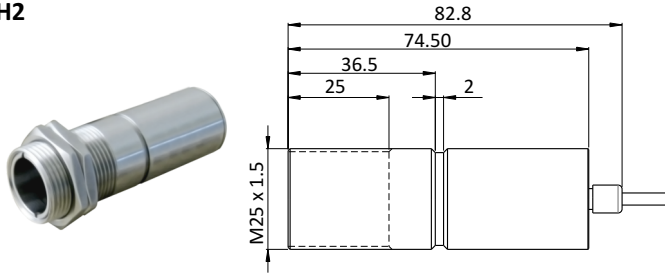
OH1



OH2-Variable



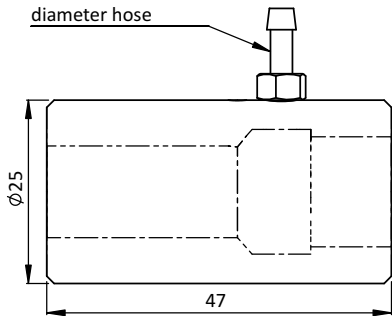
OH2



* All Dimensions in mm

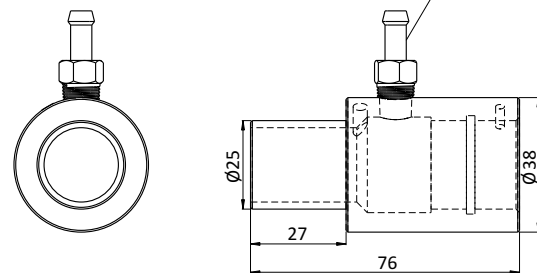
Pyrometer Drawing

for 3 mm inside diameter hose



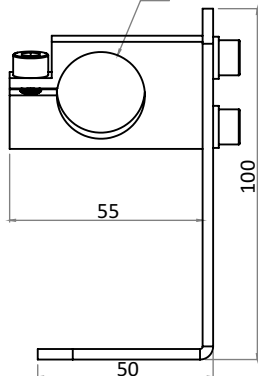
Air Purge Unit for Optical Head I
(Reference no: 8200-02)

for 6 mm inside diameter hose

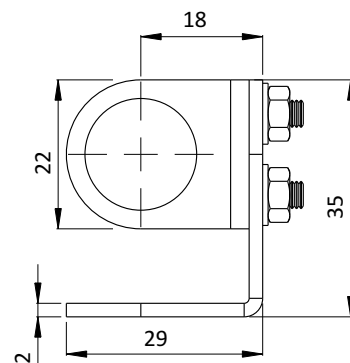


Air Purge Unit for Optical Head II
(Reference no: 8200-01)

Ø25



Adjustable Mounting for Optical Head II
(Reference no: 8200-03)



Adjustable Mounting for Optical Head I
(Reference no: 8200-04)

Accurate Sensors Technologies Pvt. Ltd.
Misgav Industrial Park, Misgav 20174 Israel
Phone : +972-4-9990025, Fax : +972-4-9990031
E-mail : info@accuratesensors.com

Accurate Sensing Technologies Pvt. Ltd.
188A, B-169 (Part), B-188 (A), Road No. - 5, M. I. A.,
Madri, Udaipur (Rajasthan) - 313003
Phone : +91-9352506032
Email : sales@astinfrared.com

